

# MCD 3000 Soft Starter



## Remote Operator

The MCD Remote Operator (175G3061) allows remote control, status indication and motor monitoring of an individual MCD3000 soft starter using RS485 serial communication. It incorporates the following features:

### Motor Control

- Start, Stop and Reset pushbuttons
- RS485 Serial Communications compatible

### Operational Status Indication

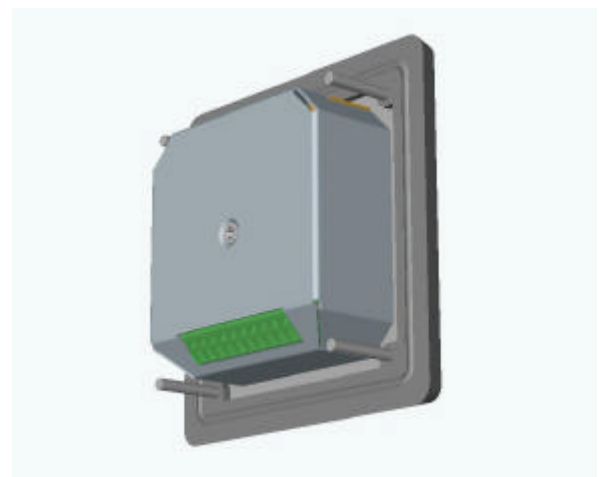
- Start, Run, Trip LED indication
- RS485 serial activity LED indication

### Motor Condition Monitoring

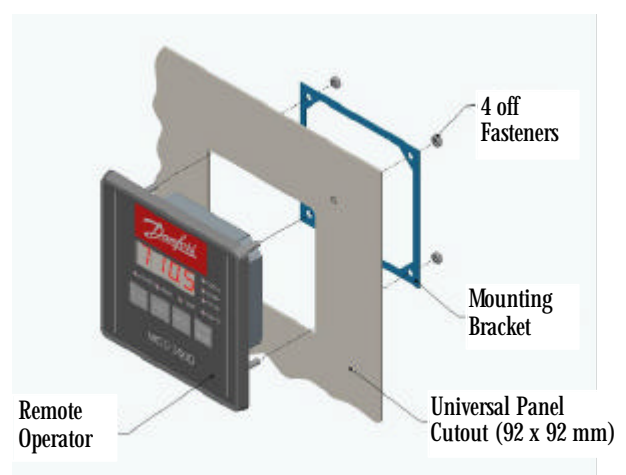
- LED display of motor current, motor temperature or tripcode (pushbutton selectable)
- 4-20mA analogue output for motor current monitoring

### More features

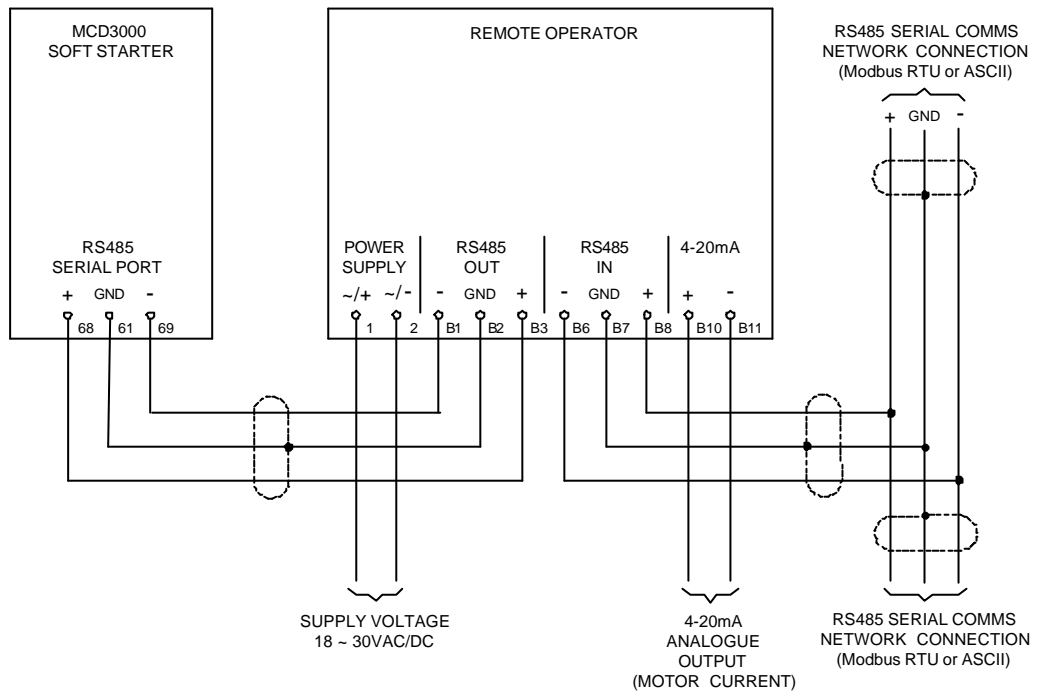
- IP54 (minimum) front protection when panel mounted
- Universal 90mm<sup>2</sup> panel cutout
- Simple 3 step installation procedure
- Compact design: front panel -120mm<sup>2</sup>, inside panel depth - 30mm
- CE and UL approved



Rear View



Installation Procedure



CONNECTION DIAGRAM

Danfoss can accept no responsibility for possible errors in catalogues, brochures and other printed material. Danfoss reserves the right to alter its products without notice. This also applies to products already on order provided that such alterations can be made without consequential changes being necessary in specifications already agreed. All trademarks in this material are property of the respective companies. Danfoss and the Danfoss logotype are trademarks of Danfoss A/S. All rights reserved.

